

CHANNEL



## VENISIO SLIM

► All the technology of the *EXPERT* solution with the practicality of the *SLIM*



AESTHETIC DESIGN

stainless steel or tileable finish grid



300 mm



500 mm



Check out our  
video tutorials  
on  
**ASSEMBLY**

VENISIO SLIM, the new wet room channel range from WIRQUIN, is ideal for installing walk-in showers in renovation projects thanks to its unobtrusive slimline profile, with a height of just 50mm.



**wirquin**  
**PRO**

SANITARY EQUIPMENT SPECIALIST

# VENISIO SLIM

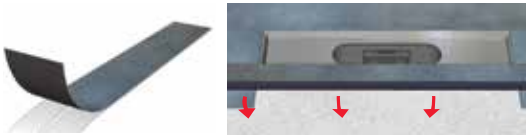
► Slim design: only 50mm high.



- Ideal for renovation with walk-in showers.
- Small format to fit in even the tightest of spaces.

## TOTALLY WATERPROOF

For best results use with a self-adhesive butyl band (provided in the pack) and a plaster sealant (not included) for perfect watertightness



## EXTRA FLAT

Only 50 mm disbursement height needed

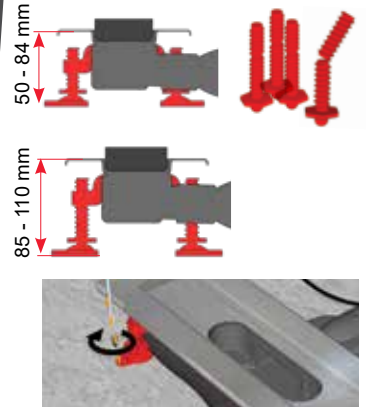
## PERFECT FINISH

- Fine-tune the height of the frame using the adjustable supports (+2mm)
- Compatible with tiles with a thickness between 8 and 16mm



## EASY TO ADJUST

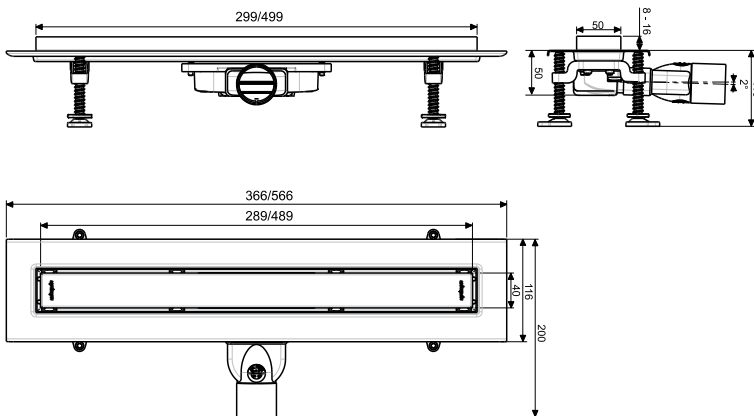
- Divisible, ball-joint feet
- Adjustable height



## HYGIENE AND EASE OF MAINTENANCE

- Membrane trap : replaces the water trap
- Easily accessible from the top for cleaning

## TECHNICAL CHARACTERISTICS



Anti-odour function, as efficient as a water trap	Silicon membrane
Flow rate (with 20mm of water) meets NF EN 1253 criteria	35 L/min
Height of channel (under floor)	50 mm
Adjustable height	from 50 to 110 mm
Connection to drainage system	M50 mm to be glued or Push Fit
Materials	Trap in ABS Plate, surround and grate in stainless steel

Description	Reference	EAN code	Packaging	Multiple/Packing
VENISIO SLIM L300	30721026	3375537209514	Box	6
VENISIO SLIM L500	30721029	3375537209545	Box	4

## ADVANTAGES OF A MEMBRANE-TYPE SIPHON

- Prevents trap from emptying.
- NO SMELL GUARANTEE : the membrane replaces the water trap.
- EASY TO MAINTAIN: the membrane is removable, accessible and is fitted with a hair filter.
- HIGH-PERFORMANCE FLOW RATE: 35 L/mn