

TECHNICAL DATA SHEET

JAMES ® SQUARE D60 SHOWER TRAP

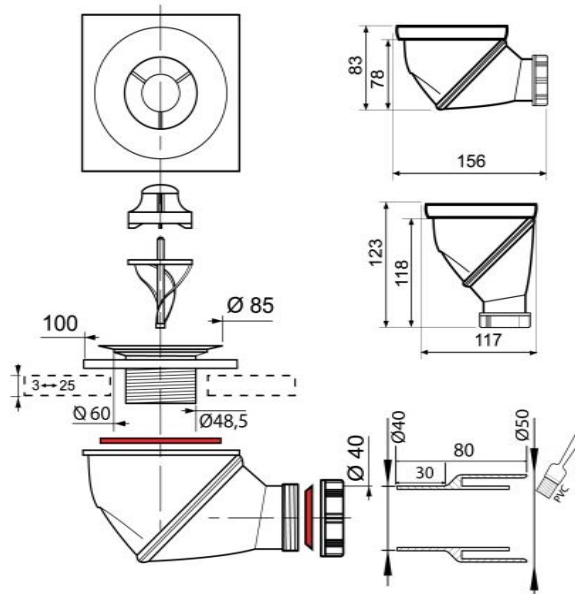
wirquin

WIRQUIN MANUFACTURING
Hospital Street
Somerset East
5850
South Africa

Tel: +27 (0)42 243 6000
Fax: +27 (0)42 243 0543

Directors
D. Le Coent (Chairman) (French)
G. Le Coent (French)
G. Hogg (Managing)

(Pty) Ltd Reg No.
2006/004087/07



ITEM NUMBER: 34260002

DESCRIPTION: JAMES ® SQUARE D60 SHOWER TRAP

BENEFITS & FEATURES:

- The elegant two piece Chrome Plated ABS Grid (100 x 100mm) allows for this product to be used in both mosaic & shower tray application.
- The James ® Shower Trap has a revolutionary design which enables the outlet to be vertical or horizontal, and still maintains a 50mm water seal.
- The James ® shower trap has an exceptionally high flow rate – 51 lt / min horizontally & 83 lt / min vertically, under a 120mm head of water.
- The inlet has a removable strainer to catch any large sediment, easily removable for cleaning.
- The outlet is fitted by a 40mm compression ring or a 1 ½” BSP Female adaptor.
- 40mm-50mm PVC adaptor included.
- Conforms and exceeds NF standard
- 5 Year Guarantee.

SPECIFICATION:

JAMES ® Square D60 Shower Trap with orientable outlet for vertical or horizontal outlet. Adaptor plate for Square or Round Installation. 50mm water seal, 40mm outlet. – WIRQUIN – 34260002.

www.wirquin.com

France

WIRQUIN PLASTIQUES
contact@wirquin.com

GILAC
gilac@gilac.com

Spain

WIRQUIN CALAF
wirquin@wirquincalaf.com

United-Kingdom

WIRQUIN LTD
sales@wirquin.co.uk

Federation of Russia

WIRQUIN RUS
commerce@wirquin.ru

Romania

WIRQUIN ROMANIA
marketing@wirquin.ro

South Africa

WIRQUIN MANUFACTURING
SOUTH AFRICA
enquiries@wirquin.co.za

China

WIRQUIN AIMAS
WIRQUIN ASIA
GOLDEN PLASTIC INDUSTRIAL
contact@wirquin.cn

Export

WIRQUIN EXPORT
export@wirquin.com