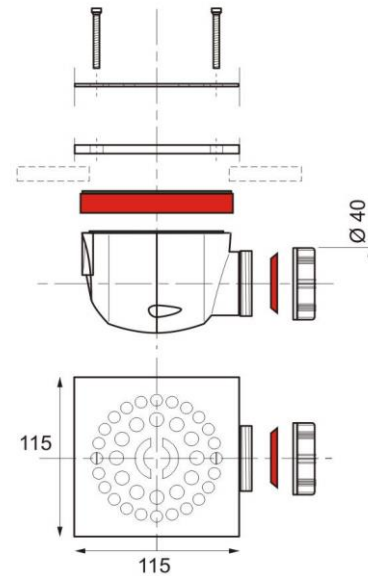


TECHNICAL DATA SHEET

TWISTO® SQUARE SHOWER TRAP



ITEM NUMBER : 34040401

DESCRIPTION : TWISTO® SQUARE SHOWER TRAP

BENEFITS & FEATURES:

- Revolutionary design enables the trap to work with a venturie, thus sucking the water from the shower floor, for quick drainage of the water.
- The perfect trap for all showers, especially where large roses, more than one rose, or open plan walk in showers.
- The flow rate is 32 lt / min under a 15mm head of water.
- Stainless Steel (Grade 304) 115mm Square grid.
- 50mm water seal to prevent unwanted odours.
- 40mm outlet with nut & compression ring.
- 40 to 50mm pipe adaptor included.
- 2 Year Warranty.

SPECIFICATION:

TWISTO® Square Shower Trap with 304 Stainless Steel grid, ultra-fast flow rate with 50mm water seal, 40mm outlet.- WIRQUIN – 34040401.