

# TECHNICAL DATA SHEET

## JAMES ® ROUND D60 SHOWER TRAP

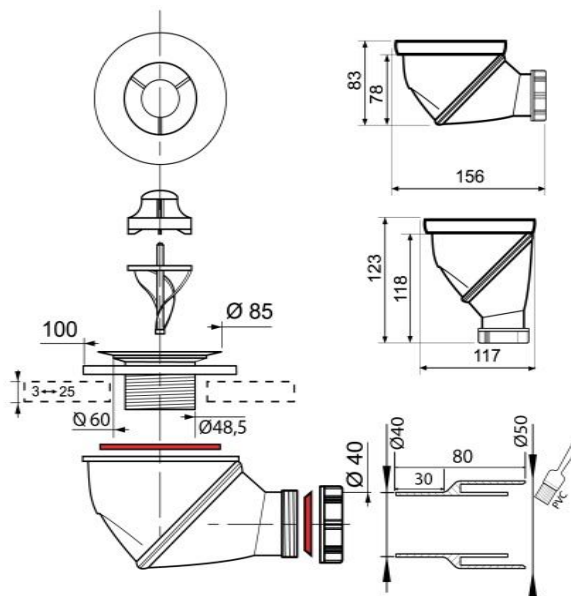
**wirquin**

**WIRQUIN MANUFACTURING**  
Hospital Street  
Somerset East  
5850  
South Africa

Tel: +27 (0)42 243 6000  
Fax: +27 (0)42 243 0543

**Directors**  
D. Le Coent (Chairman) (French)  
G. Le Coent (French)  
G. Hogg (Managing)

(Pty) Ltd Reg No.  
2006/004087/07



**ITEM NUMBER: 30943000**

**DESCRIPTION: JAMES ® ROUND 50 SHOWER TRAP**

### **BENEFITS & FEATURES:**

- The elegant Chrome Plated ABS waste is suited for shower tray applications with a minimum 60mm ID.
- The James ® Shower Trap has a revolutionary design which enables the outlet to be vertical or horizontal, and still maintains a 50mm water seal.
- The James ® shower trap has an exceptionally high flow rate – 51 lt / min horizontally & 83 lt / min vertically, under a 120mm head of water.
- The inlet has a removable strainer to catch any large sediment, easily removable for cleaning.
- The outlet is fitted by a 40mm compression ring or a 1 ½” BSP Female adaptor.
- 40mm-50mm PVC adaptor included.
- Conforms and exceeds NF standard
- 5 Year Guarantee.

### **SPECIFICATION:**

*JAMES ® Round D60 Shower Trap with orientable outlet for vertical or horizontal outlet. Round Installation only. 50mm water seal, 40mm outlet. – WIRQUIN – 30943000.*

[www.wirquin.com](http://www.wirquin.com)

#### **France**

WIRQUIN PLASTIQUES  
contact@wirquin.com

#### **GILAC**

gilac@gilac.com

#### **Spain**

WIRQUIN CALAF  
wirquin@wirquincalaf.com

#### **United-Kingdom**

WIRQUIN LTD  
sales@wirquin.co.uk

#### **Federation of Russia**

WIRQUIN RUS  
commerce@wirquin.ru

#### **Romania**

WIRQUIN ROMANIA  
marketing@wirquin.ro

#### **South Africa**

WIRQUIN MANUFACTURING  
SOUTH AFRICA  
enquiries@wirquin.co.za

#### **China**

WIRQUIN AIMAS  
WIRQUIN ASIA  
GOLDEN PLASTIC INDUSTRIAL  
contact@wirquin.cn

#### **Export**

WIRQUIN EXPORT  
export@wirquin.com