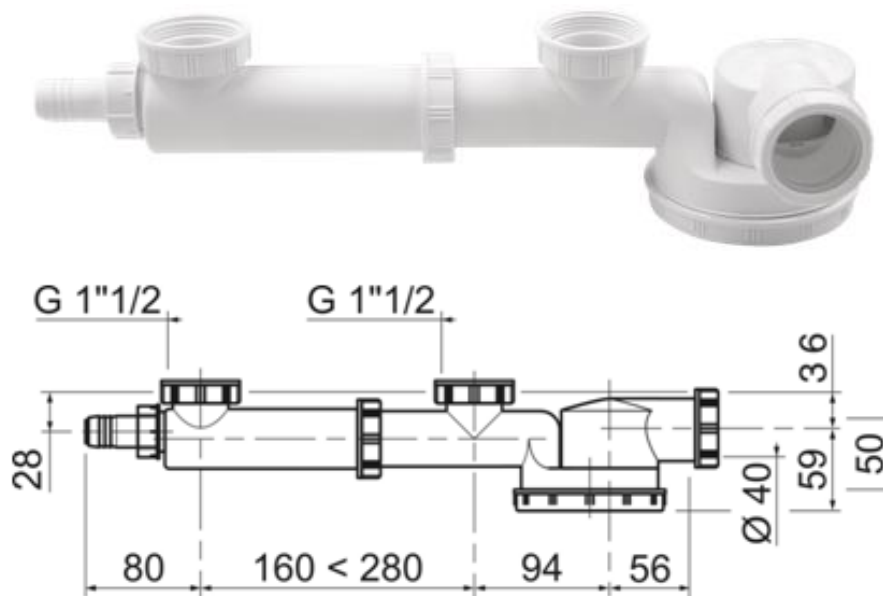


TECHNICAL DATA SHEET ESPACE DOUBLE BOWL SINK TRAP



ITEM NUMBER : 30932010

DESCRIPTION : ESPACE DOUBLE Bowl Sink Trap

BENEFITS & FEATURES:

- *The perfect space saving solution for a trap.*
- *Suitable for bowls with waste outlets from 160 to 280mm apart.*
- *Washing machine/dishwasher outlet with non-return valve.*
- *Orientele 40mm outlet, 40/50mm pipe adaptor supplied. Easy to align.*
- *Built in trap with 50mm water seal.*
- *Access cap for easy access to clean.*
- *40 to 50mm pipe adaptor included.*
- *2 Year Warranty.*

SPECIFICATION:

ESPACE DOUBLE Bowl Sink Trap. WIRQUIN – 30932010