

TECHNICAL DATA SHEET

ALL-IN-ONE BOTTLE TRAP + WASHING MACHINE CONNECTION

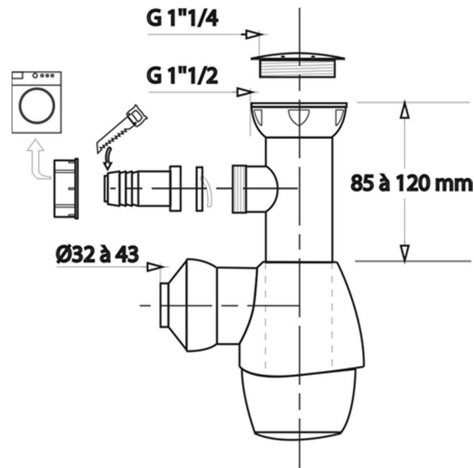
wirquin

WIRQUIN MANUFACTURING
Hospital Street
Somerset East
5850
South Africa

Tel: +27 (0)42 243 6000
Fax: +27 (0)42 243 0543

Directors
D. Le Coent (Chairman) (French)
G. Le Coent (French)
G. Hogg (Managing)

(Pty) Ltd Reg No. 2006/004087/07



ITEM NUMBER : 30931013

DESCRIPTION : ALL-IN-ONE BOTTLE TRAP + Washing Machine Connection

BENEFITS & FEATURES:

- The perfect solution for a trap.
- Suits both 32mm and 40mm wastes –
 - Basin
 - Sink
 - Prep Bowl
 - Wash trough
 - Urinal
- Compact – fits neatly under the bowl.
- Extendable inlet tube.
- High gloss white finish.
- Push Fit 40mm outlet with 40 -50mm pipe adaptor.
- Easy to clean and maintain.
- Also, the bottle trap with washing machine connection can now be fitted onto a wash-basin.
- Can also be used as a connection for an air-conditioning overflow.
- The non-return valve also prevents the smell from the air-conditioning system from entering the premises. And also drain water from entering the air-conditioning system.

SPECIFICATION:

ALL-IN-ONE BOTTLE TRAP + Washing Machine Connection - WIRQUIN - 30931013

www.wirquin.com

France

WIRQUIN PLASTIQUES
contact@wirquin.com

GILAC
gilac@gilac.com

Spain

WIRQUIN CALAF
wirquin@wirquincalaf.com

United-Kingdom

WIRQUIN LTD
salesl@wirquin.co.uk

Federation of Russia

WIRQUIN RUS
commerce@wirquin.ru

Romania

WIRQUIN ROMANIA
marketing@wirquin.ro

South Africa

WIRQUIN MANUFACTURING
SOUTH AFRICA
enquiries@wirquin.co.za

China

WIRQUIN AIMAS
WIRQUIN ASIA
GOLDEN PLASTIC INDUSTRIAL
contact@wirquin.cn

Export

WIRQUIN EXPORT
export@wirquin.com