

TECHNICAL DATA SHEET

SB700 LUXURY POP UP BATH WASTE

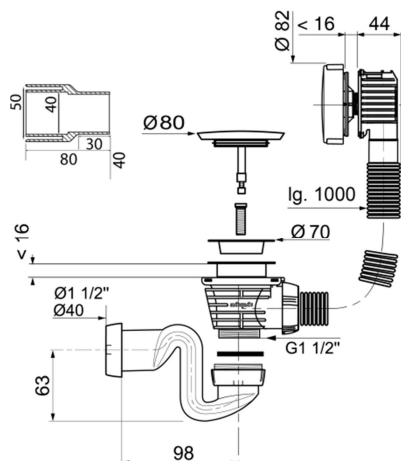
wirquin

WIRQUIN MANUFACTURING
Hospital Street
Somerset East
5850
South Africa

Tel: +27 (0)42 243 6000

Directors
D. Le Coent (Chairman) (French)
G. Le Coent (French)

(Pty) Ltd Reg No. 2006/004087/07



ITEM NUMBER : 30930002
DESCRIPTION : SB700 LUXURY POP UP Bath Waste

www.wirquin.com

BENEFITS & FEATURES:

- Supplied complete with enclosed cable.
- The cable is built in to the overflow tube.
- Handle and covering plug in chromed metal.
- For standard steel or acrylic bath with or without reinforcement.
- Reduced height, only 108mm under the bath.
- 5 Year warranty.

SPECIFICATION:

SB700 LUXURY POP UP Bath Waste - WIRQUIN - 30930002

France

WIRQUIN PLASTIQUES
contact@wirquin.com

GILAC
gilac@gilac.com

Spain

WIRQUIN CALAF
wirquin@wirquincalaf.com United-

Kingdom

WIRQUIN LTD
salesl@wirquin.co.uk

Federation of Russia

WIRQUIN RUS
commerce@wirquin.ru

Romania

WIRQUIN ROMANIA
marketing@wirquin.ro

South Africa

WIRQUIN MANUFACTURING
SOUTH AFRICA
enquiries@wirquin.co.za

China

WIRQUIN AIMAS
WIRQUIN ASIA
GOLDEN PLASTIC INDUSTRIAL
contact@wirquin.cn

Export

WIRQUIN EXPORT
export@wirquin.com