

TECHNICAL DATA SHEET

MW2EJF, UNIVERSAL Dual Flush Kit (2"), CC BIBO

wirquin

WIRQUIN MANUFACTURING

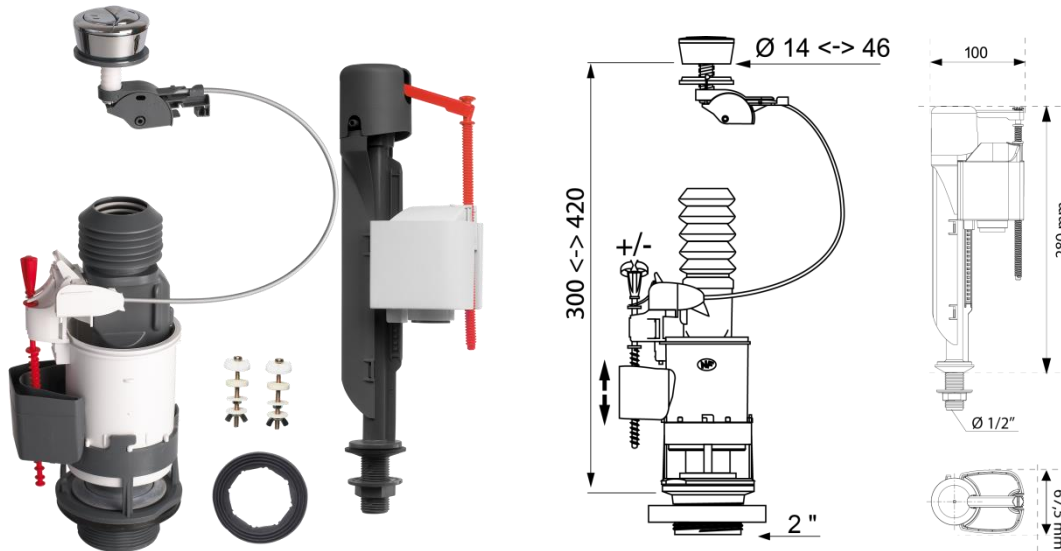
Hospital Street
Somerset East
5850
South Africa

Tel: +27 (0)42 243 6000
Fax: +27 (0)42 243 0543

Directors

D. Le Coent (Chairman) (French)
G. Le Coent (French)
G. Hogg (Managing)

(Pty) Ltd Reg No.
2006/004087/07



DESCRIPTION: MW2EJF, UNIVERSAL Dual Flush Kit (2"), CC BIBO
ITEM CODE: 14010801

BENEFITS & FEATURES:

- **MW2 Dual Flush 2" Outlet.**
 - 10 Year guarantee
 - Extendable overflow - height adjustable internal overflow
 - Adjustable float - Full flush volume adjustment
 - Cable control
 - Conforms to SANS 1509
- **Dual Flush button**
 - For use in Top Flush and Front Flush Cisterns
 - Water saving
- **Jollyfill Bottom Inlet valve with 1/2" inlet**
 - 10 year guarantee
 - High fill flow and quick shutoff
 - Ultra-silent, 17 decibels
 - Fits all standard depth cisterns.
 - Bottom Inlet
 - Adjustable float for water volume control / requirements
 - Conforms to SANS 752
- M6 x 80mm bolt set supplied for coupling the cistern firmly onto the pan.
- Economical – save at least 40,000 litres of drinking water per year (for a family of 4).
- Also conforms to WRAS (UK) EN (European Norm)

www.wirquin.com

France

WIRQUIN PLASTIQUES
contact@wirquin.com

GILAC
gilac@gilac.com

Spain

WIRQUIN CALAF
wirquin@wirquincalaf.com

United-Kingdom

WIRQUIN LTD
sales@wirquin.co.uk

Federation of Russia

WIRQUIN RUS
commerce@wirquin.ru

Romania

WIRQUIN ROMANIA
marketing@wirquin.ro

South Africa

WIRQUIN MANUFACTURING
SOUTH AFRICA
enquiries@wirquin.co.za

China

WIRQUIN AIMAS
WIRQUIN ASIA
GOLDEN PLASTIC INDUSTRIAL
contact@wirquin.cn

Export

WIRQUIN EXPORT
export@wirquin.com